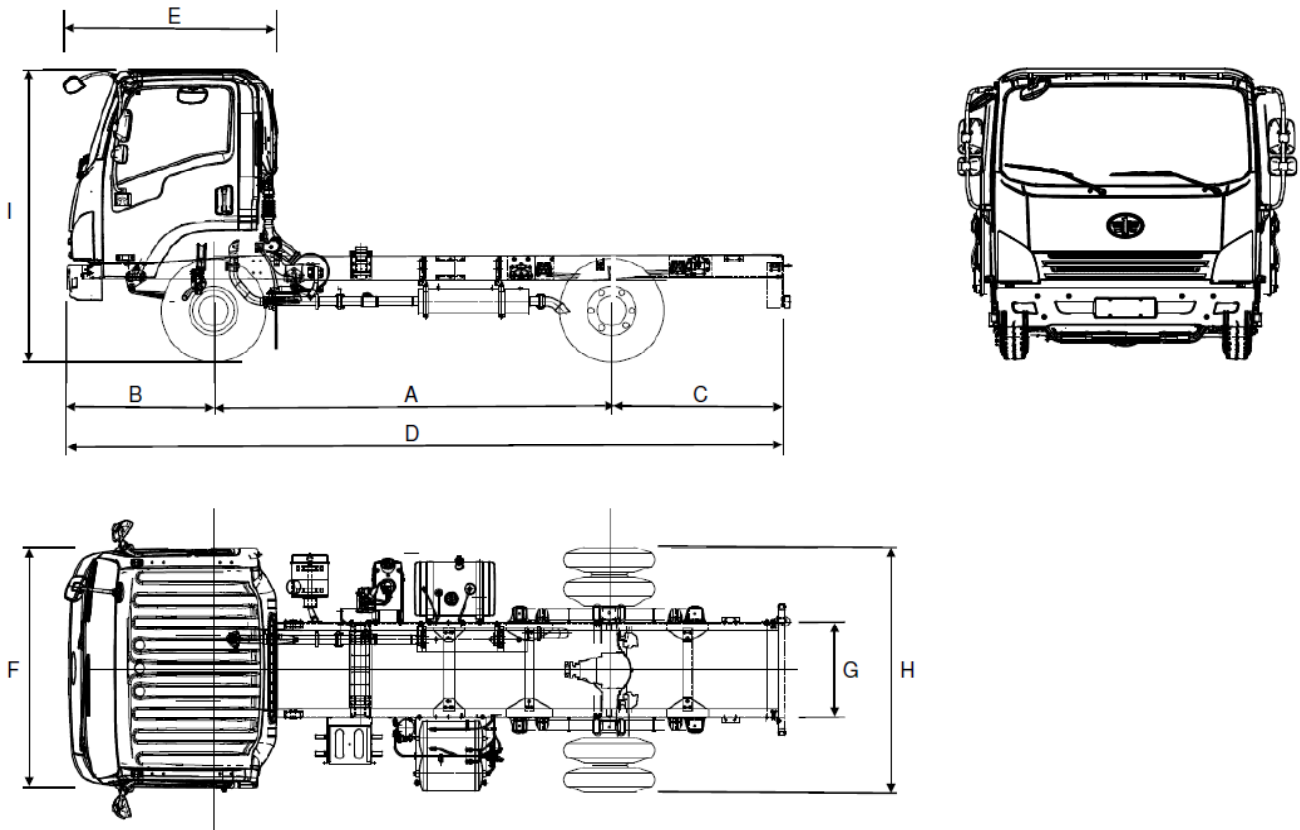


# Tiger V



7.5T GVW Euro V 2016 MY  
4x2 Rigid Manual Transmission



## Dimensions (mm)

A. Wheelbase	3260	3560	3860	4200	4650
B. Front Overhang	1150	1150	1150	1150	1150
C. Rear Overhang	1400	1500	1800	1900	2075
D. Overall Length	5810	6210	6810	7250	7875
E. Cab Length	1719	1719	1719	1719	1719
F. Cab Width (excluding mirrors)	1995	1995	1995	1995	1995
G. Chassis Frame Width	795	795	795	795	795
H. Overall Rear Axle Width	2080	2080	2080	2080	2080
I. Overall Height (Unladen)	2400	2400	2400	2400	2400

## Weights (kg)

Gross Vehicle Weight (GVW)	7500	7500	7500	7500	7500
Chassis-Cab Unladen Front	1830	1850	1865	1885	1910
Chassis-Cab Unladen Rear	1270	1275	1280	1290	1300
Chassis-Cab Unladen Total	3100	3125	3145	3175	3210
Plated Front Axle	2700	2700	2700	2700	2700
Plated Rear Axle	4800	4800	4800	4800	4800

# Tiger V



7.5T GVW Euro V 2016 MY  
4x2 Rigid Manual Transmission

<b>Engine</b>											
Make:	Cummins										
Model:	ISF 3.8										
Fuel:	Diesel										
Cylinders:	4, in line										
Capacity:	3760 cm <sup>3</sup>										
Bore:	102 mm										
Stroke:	115 mm										
Maximum Power:	115 kW @ 2600 rpm										
Maximum Torque:	491 Nm @ 1200 - 1900 rpm										
Emissions Compliance:	Euro V										
Features:	Turbocharged, Intercooler HPCR, SCR, Adblue										
<b>Transmission</b>								<b>Brakes</b>			
Gearbox Make:	ZF			Service Brake::	Full air, dual circuit, front & rear - drums with WABCO ABS						
Gearbox Model:	ZF6S500			Parking Brake:	Air spring park brake system						
Gearbox Ratios:	1st	6.198		<b>Steering</b>							
	2nd	3.287		Steering System:	Power-assisted Recirculating Ball System						
	3rd	2.025		<b>Suspension</b>							
	4th	1.371		Front Suspension:	Semi-elliptical multi-leaf springs & dampers						
	5th	1.000		Rear Suspension:	Semi-elliptical multi-leaf springs with auxillary springs & dampers						
	6th	0.78		<b>Electrical System</b>							
	Reverse	5.681		System Voltage:	24 V Negative Earth						
Clutch:	350 mm single dry plate			Batteries:	Two x 12V						
Front Axle:	X349										
Rear Axle:	340										
Rear Axle Ratio:	4.33										
Wheels:	17.5 x 6.75										
Tyres:	235/75R17.5										
<b>Tank Capacity</b>											
Diesel Tank:	90 Litres										
Adblue Tank:	16 Litres										
<b>Chassis</b>				<b>FAW Trucks UK Ltd.</b> <b>Unit 1, Navigator Court,</b> <b>Preston Farm Industrial Estate,</b> <b>Stockton On-Tees.</b> <b>TS18 3TQ</b> <b>Tel.</b> <b>Web Address</b>							
Type:	Straight ladder frame										
Chassis Frame:	216 x 75 x 6										
<b>Performance</b>											
Maximum Speed (Limited):	90 km/h (56 mph)										

Bodybuilders are responsible for making sure that the completed vehicle meets all legislative requirements.  
The above specifications are not binding and are subject to change without prior notice.  
FAW Trucks UK Ltd. shall have no liability if the information supplied contains incorrect data, diagrams, or descriptions.  
Publication: Tiger V Tech Specs July 2016 E5MT0716